

- High-End, Stylish and Real All-in-One POS System
- Performance and Energy-Efficient Intel Processors
 - Intel®Core™Processors i5
 - Intel®Celeron™J1900Quad-CoreProcessor
- 15" and 17" LED LCD Display, Projective Capacitive Touch
- High-Speed and Jam-Free 3" Thermal Receipt Printer Integrated
 - Multiple I/O Ports and Integrated Peripheral Options
 - Modular Design for Easy Maintenance



Features & Benefits



Integrated Printer

- 3" Jam-Free Thermal Receipt Printer
- 200mm/s max. Auto Cutter(Interface : Serial, USB)



Customer Display

- 20 Columns x 2 Lines



2nd LCD Display

- 9.7", 12.1", 15" LCD
- 1024 x 768 Resolution



Multi-reader

- MSR (ISO 7811, Support 1 & 2 & 3 Track)
- SCR (EMV Level 1,2)



Storage

- 2.5 inch SSD 128GB, HDD 500GB HDD 1TB
- 2nd 2.5 inch SSD 128GB, HDD 500GB, HDD 1TB



Smart Battery

- 3S1P 2050mAh
- 4S1P 2050mAh

Specifications

General Specifications		Model : Qs(Q3/Q4), J19
System		
CPU	Q3	Intel® Core™ i5-2520M Processor (3M Cache, 2.50 GHz)
	Q4	Intel® Core™ i5-2540M Processor (3M Cache, up to 3.30 GHz)
	J19	Intel® Celeron™ J1900 (2.0 GHz) Quad-Core Processor / Fanless
Chipset		
Chipset	Qs	Intel® HM76
	J19	Intel® Bay Trail
Storage		
Memory	Qs	4GB Standard (Max. 8GB) Type : DDR3L with 1066 or 1333 MT/s / Socket 1 x SODIMM (Max. 2 Optional)
	J19	4GB Standard (Max. 8GB) Type : DDR3L with 1066 or 1333 MT/s / Socket 2 x SODIMM
	RAID	Qs - J19 -
Graphics Controller		
Integrated Intel GMA HD		
Audio		
2 x 0.8W Stereo Speaker		
LCD Display		
Size / Type 15" or 17" TFT LED Backligh		
Resolution 1280 x 1024 (17") - 1024 x 76		
Luminance 300 cd/m ² (typ.)		
Touch Screen		
Type Projective Capacitive Touch		
Controller Interface		
USB Interface		
I/O Interface		
Display Port 1 x VGA		
USB Port	Qs	8 (4x USB 3.0 - 1x USB 2.0 - Side 2x USB2.0)
	J19	8 (1x USB 3.0 - 5x USB 2.0 - Side 2x USB2.0)
PS / 2 Port 1		
Serial Port 3 (COM 1 ~ 3 with 5V/12V power output on 9pins)		
Ethernet Port 2 x RJ-45		
Audio 1 x Line-out, 1 x Mic-in		
Power DC-IN 1 (3pins connector)		
Power Requirement		
Adapter Input Adaptor 24V, 5A		

OS Support	
OS	Windows 7, Windows 8.1, Windows 10, POS Ready
Mechanical & Environmental	
Operating Temperature	0°C ~ 50°C at 10% ~ 80% humidity
Storage Temperature	-20°C ~ 80°C at 10% ~ 80% humidity
Dimensions (W x H x D)	364 x 382 x 285 (mm), 14.3 x 15 x 11.2 (inch)
Net Weight	9,400g
Packing Dimension (W x H x D)	460 x 470 x 470 (mm), 18.1 x 18.5 x 18.5 (inch)
Packing Weight	12,500g
Qualification	CE, FCC, KC

Optional Configuration	
Integrated Printer	3" Jam-Free Thermal Receipt Printer
	200mm/sec max, Auto cutter (Interface : Serial, USB)
	2.5 inch SSD 240GB
	2.5 inch HDD 500GB
Storage	2.5 inch HDD 1TB
	2nd 2.5 inch SSD 120GB
	2nd 2.5 inch SSD 240GB
	2nd 2.5 inch HDD 500GB
I/O Expansion	2nd 2.5 inch HDD 1TB
	1 x Parallel Port (D-SUB 25pins)
	1 x Expansion Slot (mini PCIe for wireless LAN)
	1 x DVR Card (PCI 4 Channel)
Customer Display (CDP)	1 x Cash Drawer Port (RJ11 6pins)
	VFD (20 columns x 2 lines)
Dual Display	9.7" 2nd LCD (1024 x 768 resolution)
	12.1" 2nd LCD (1024 x 768 resolution)
Magnetic Stripe Reader	15" 2nd LCD (1024 x 768 resolution)
	MSR : Comply with ISO 7811, Support 1 & 2 & 3 track
Smart Card Reader	SCR : EMV level 1, 2
Dallas	Dallas I-button reader
Blower Fan	1 (40mm x 40mm, Normal type)
Battery	Smart Battery : 351P 2050mAh
	Smart Battery : 451P 2050mAh
Color	Custom Colors Available

*Specifications may change without prior notice.

Options



Printer Module



Multi-reader (MSR, SCR)

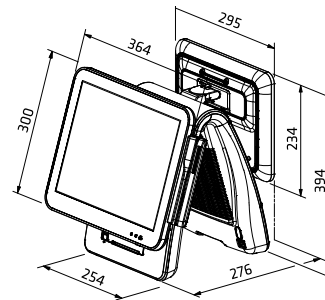


Customer Display



2nd Display

Dimension View



axon

axon(t) is a registered brand of AP.esse S.p.A.
Via Piersanti Mattarella, 32 - 30030 - Gardigiano di Scorzè (VE) - Italy
Tel. +39.041.5830594 - Fax +39.041.5830595
e-mail: info@apesse.com

All specifications may change without prior notice
Trademarks are property of their respective owners
AP.esse shall not be liable for technical or editorial errors or omissions contained here in
<http://www.axoncomputer.it>