



Nquire 200

Customer Information Terminal



The Nquire 200 customer information terminal is designed to read/scan, inform and interact with your customer.

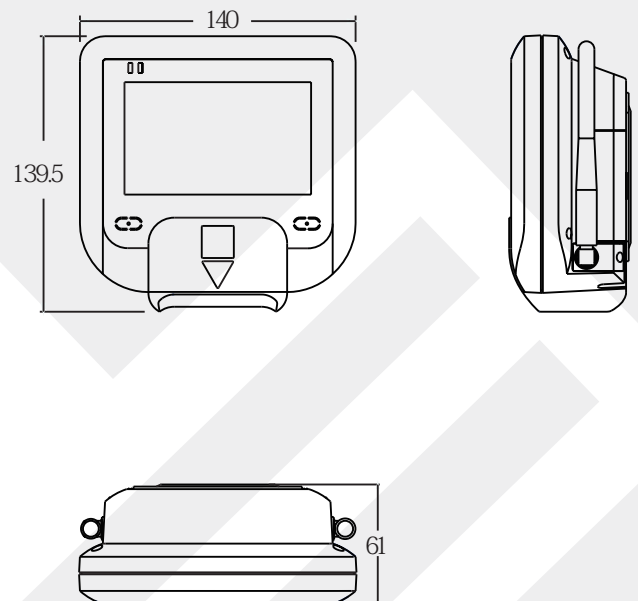
It is excellent for communicating prices, product information and loyalty points.

This small and attractive information terminal reads multiple data carriers; from 1D EAN/UPC barcodes to complex 2D barcodes of mobile phone displays. It is even possible to equip the Nquire 200 with a RFID reader!

Product Features

- **Data Collection**
Through a 1D CCD or 1D/2D image engine with a RFID engine as an optional addition.
- **Value-for-Money**
Designer and ergonomic Information Terminal which can be used as, e.g. a Price Verifier / Checker or Access Control terminal.
- **Data Transmission**
Transmit data through Ethernet, WiFi or GPRS.
- **Great Environment adaption**
Because of its small size and the VESA 75 mountability, it can be installed virtually anywhere in a store or office.
- **External device connections**
The external USB and GPIO ports enable the possibilities to attach a Newland hand held scanner for scanning bulky objects or to connect a Relay for controlling an entry/exit gate or door lock.
- **Power Supply**
Charged through power adapter or Power-over-Ethernet
- **Advanced Technology**
Includes core-technology **UIMG™**, which is independently designed and manufactured by Newland Auto-ID. **UIMG™** technology includes the optical, CMOS, digitizer, decoder, image processing & embedded systems.

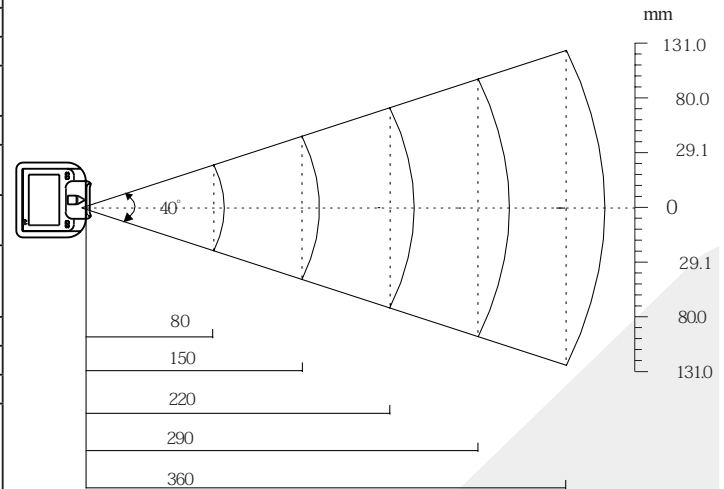
Dimensions (mm)



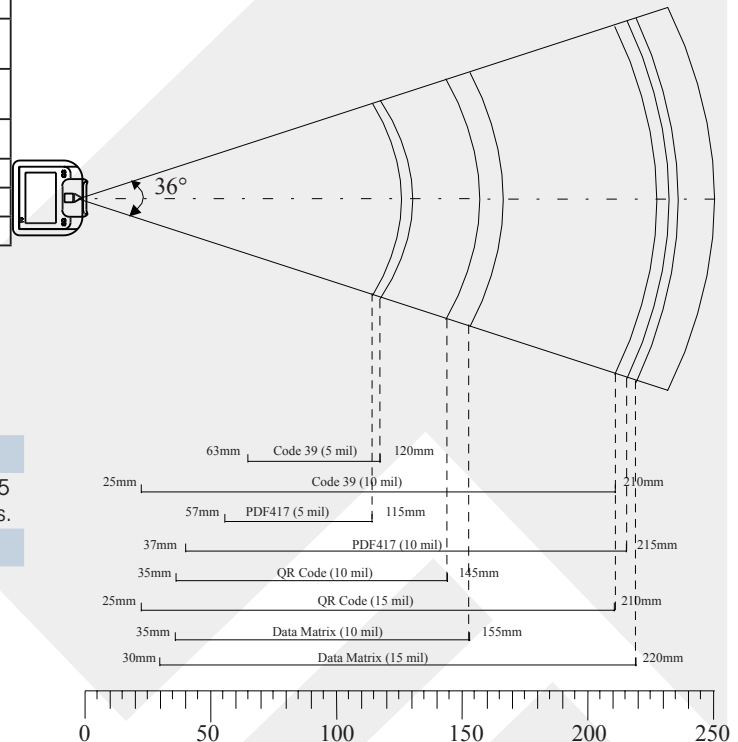
NQuire200 Series Specifications

Specification	NQuire201	NQuire202
CPU	32-bit ARM9 CPU	
Memory	SDRAM: 32 MB	
	Flash: 8 MB	
	Support Mini SD up to 2GB	
Display	Blue-White 240*128 pixels graphical LCD (90mm x 55mm)	
Interface	10/100 Mbps Ethernet + WiFi OR PoE OR GPRS	
Optional	WiFi	IEEE 802.11b/g, 2.4GHz, DSSS, 14dBm, WEP 64/128, WPA/WPA2
	GPRS	GSM 850 / 900 / 1800 / 1900 MHz, 85.4Kbps(Max)
	RFID	Mifare(ISO 14443A) TI(ISO 15693) EM(125K)
External Ports	USB	USB Host
	GPIO	Free programmable GPIO (2 in - 2 out)
Reading Modes	CCD	Imager
Symbologies	PDF417, QR Code, Data Matrix, Aztec, Vericode, Chinese-Sensible Code	
	Code128, EAN-13, EAN-8, Code39, UPC-A, UPC-E, GS1 Databar, Codabar, Interleaved 2 of 5, China post 25, ISBN/ISSN, Code93, etc.	
Precision	≥4 mil	≥3 mil
Power	Adapter	12DC, 2000mA
	P-o-E	Power-over-Ethernet IEEE 802.3af (Optional)
Environment	Op. Temp.	-5°C ~ + 45°C
	St. Temp.	-20°C ~ + 55°C
	Operate Humidity	5% - 90% (no condensation)
	Storage Humidity	5% - 95% (no condensation)
Weight	440g	
Dimensions	140 mm(H) * 140 (W)mm * 60 (D) mm	
Operation System	Linux Kernel 2.6.25	
Certifications	FCC, CE	

NQuire201 Decode Zones



NQuire202 Decode Zones



Accessories

VESA Mount

VESA 75 Mount The NQuire 200 complies with standard VESA 75 brackets enabling easy mounting on shelves and walls.

Power

The power adapter for NQuire200 Series.

ADP120 Output: DC12V, 2A; Input AC100~240V, 50~60HZ.

Applicable Accessories

Configuration tools

The NQuire 200 uses an internal webserver for configuration. This eliminates Operating System restrictions.

